

# SEACHROME

Seachrome Corporation  
 1906 East Dominguez Street  
 Long Beach, California 90810  
 Phone: (800) 955-2476  
 Fax: (800) 444-3380

Description:

## Straight Import Grab Bar

Seachrome Part #  
 IGSS-Series

Customer Part #

11-16-2016

### FLANGE STYLES

### TUBING MATERIAL:

- "S" = Type 304 (18-8) Stainless Steel     "X" = Polished #304 Stainless Steel  
 "Y" = Peened w/Satin Ends     "Z" = Peened w/Polished Ends

### TUBING SIZE:

- "Q" = 1-1/4" (32mm) O.D. x .049" (18ga.) (1.2mm) Wall Thickness.  
 "H" = 1-1/2" (38mm) O.D. x .049" (18ga.) (1.2mm) Wall Thickness

### FLANGE STYLE:

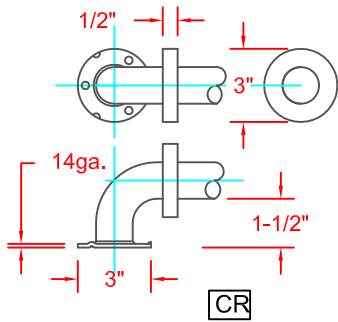
The following mounting flanges are constructed of Type 304 (18-8) Stainless Steel, Heliarc Welded to the bar to form an intergral structural unit.

- "CR" 14 ga. (2.0mm) x 3" (76mm) dia. on 1-1/4" bars.

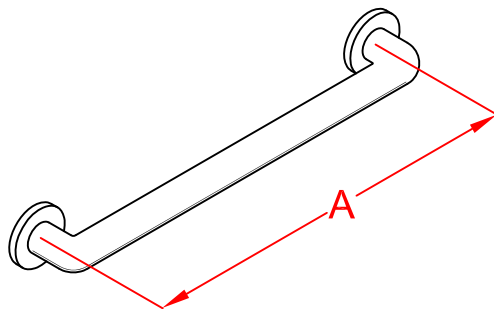
### WALL CLEARANCE:

On straight bars, the standard wall clearance between the finished wall surface and the inner bar edge is 1-1/2" (38mm). Other Clearances upon request.

Concealed Screw Flanges



All grab bars must only be installed using sufficient in-wall backing material.



This drawing and the information contained herein is proprietary to Seachrome Corp. and shall not be reproduced, copied or disclosed in whole, or part, or used for manufacturing or for any other purpose without the written permission of Seachrome Corporation.

All bars meet Federal specifications WW-P 541/8b, Amendment 1, 16 April, 1990 ANSI 117.1 all FHA, VA & HUD specifications and

**COMPLIES WITH ALL ADA REQUIREMENTS**



S= Satin #304 Stainless Steel  
 X= Polished #304 Stainless Steel  
 Y= Peened w/Satin Ends  
 Z= Peened w/Polished Ends

	Dimension "A"	Tubing Size	Flange Style
Example: IGSS	-- 240	-- H	-- CR